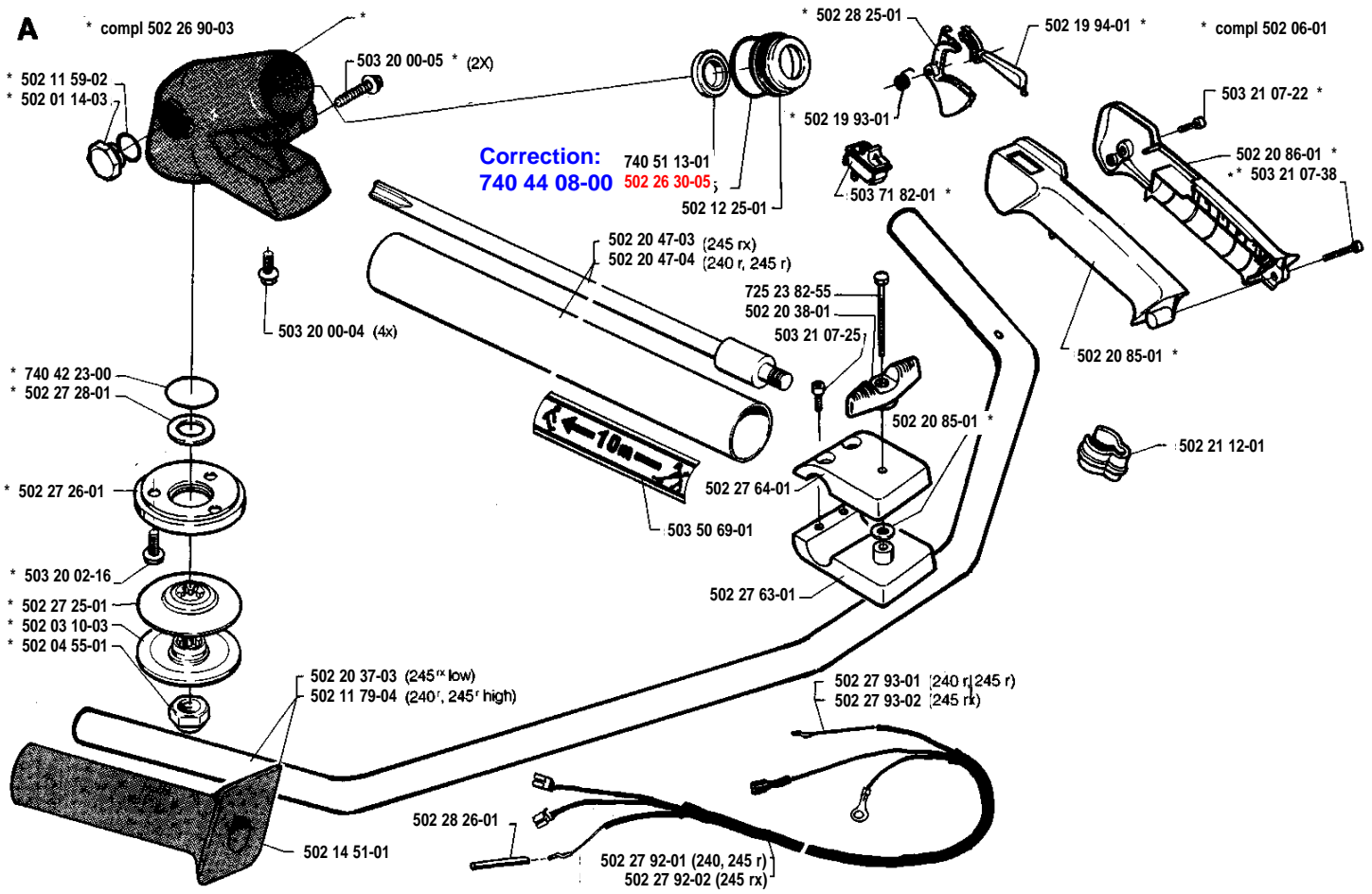
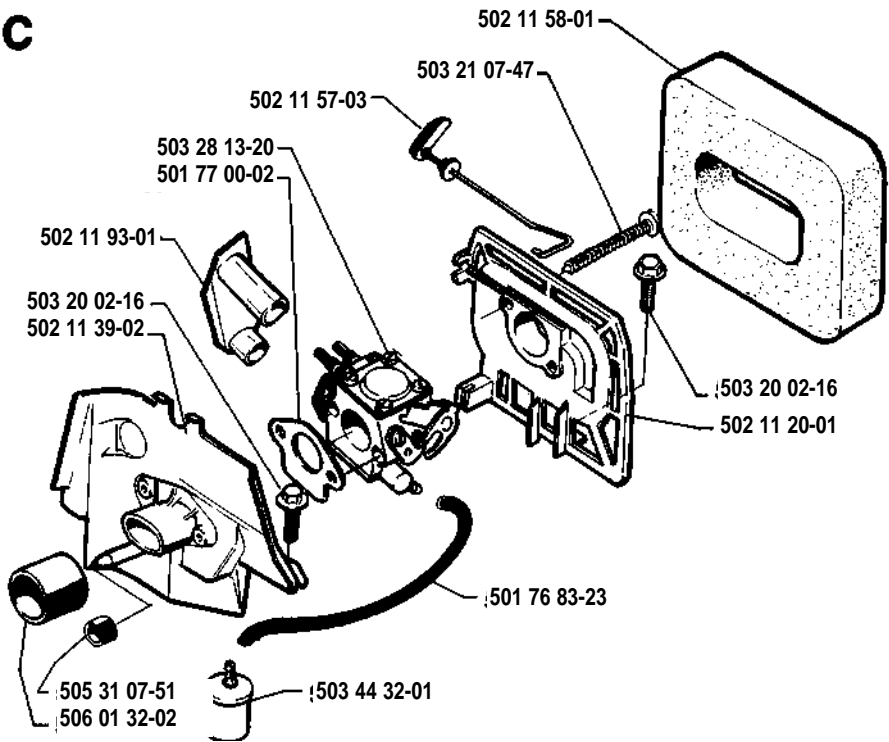


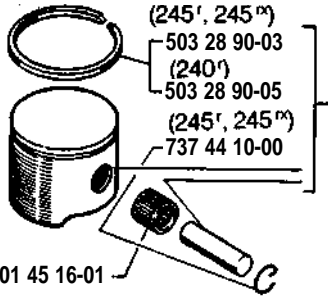
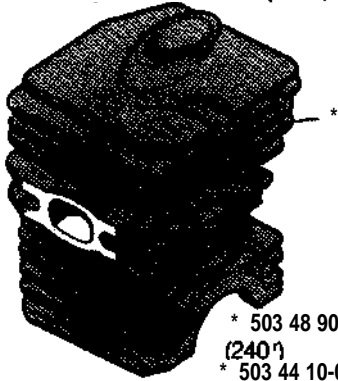
A



C



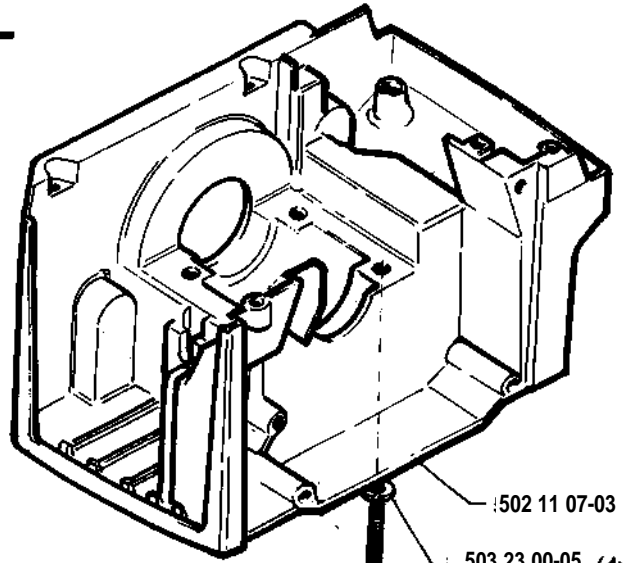
- B** * compl 506 01 06-07 (240^l)
 * compl 503 44 08-02 (245^l, 245^m)



- * 503 48 90-01 (240^l)
- * 503 44 10-01 (245^l, 245^m)
- 503 28 90-03 (240^l)
- 503 28 90-05 (245^l, 245^m)
- 737 44 10-00

* 501 45 16-01

L



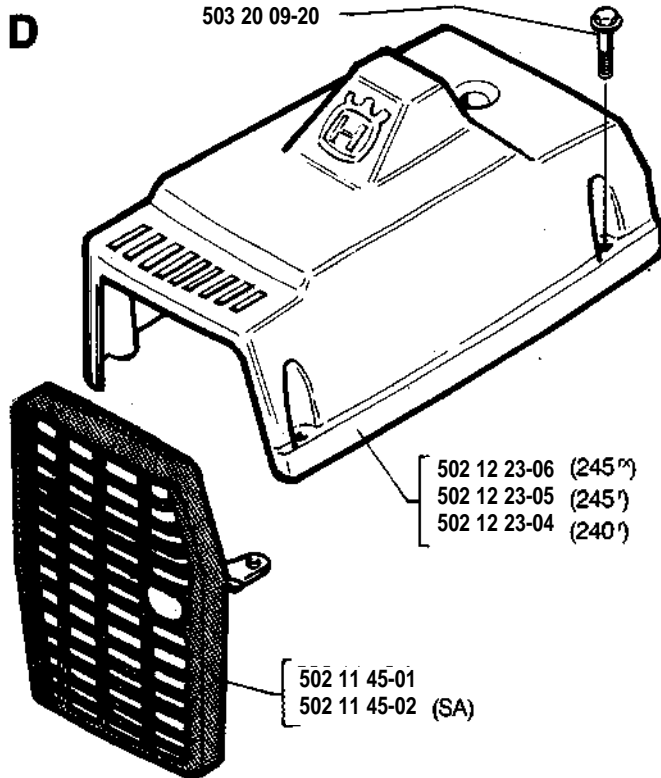
502 11 07-03

503 23 00-05 (4x)

725 53 76-55 (4x)

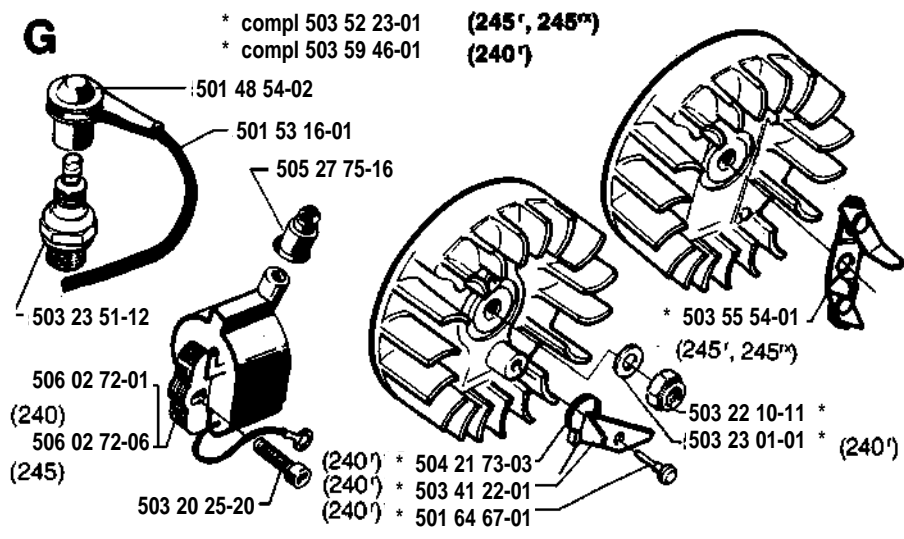
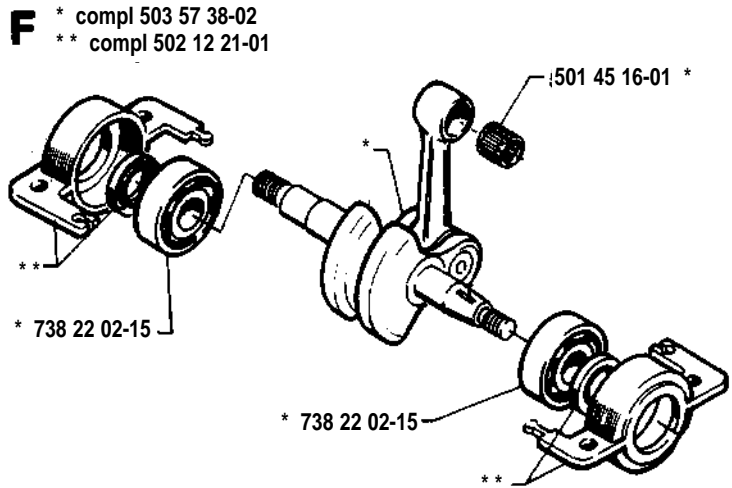
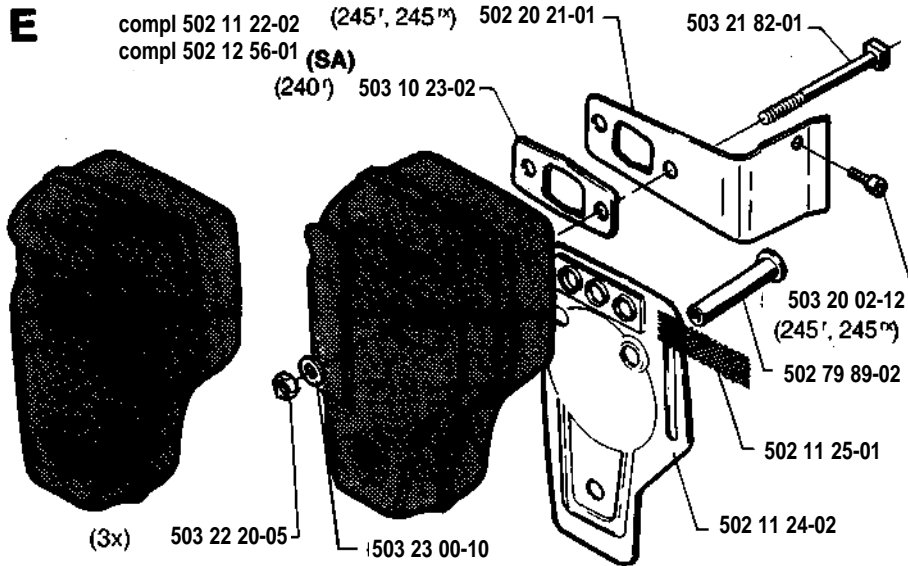
D

503 20 09-20

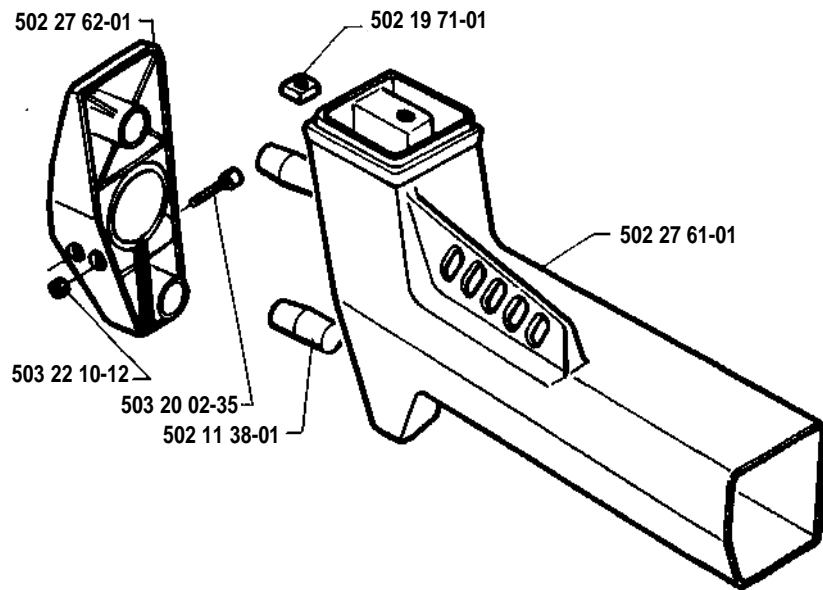


- 502 12 23-06 (245^m)
- 502 12 23-05 (245^l)
- 502 12 23-04 (240^l)

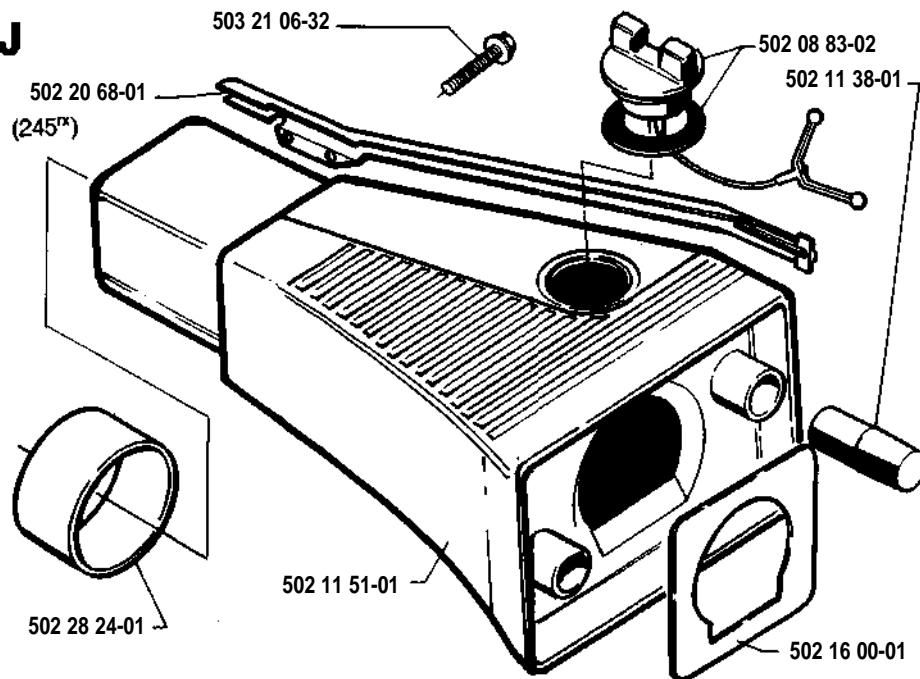
- 502 11 45-01
- 502 11 45-02 (SA)



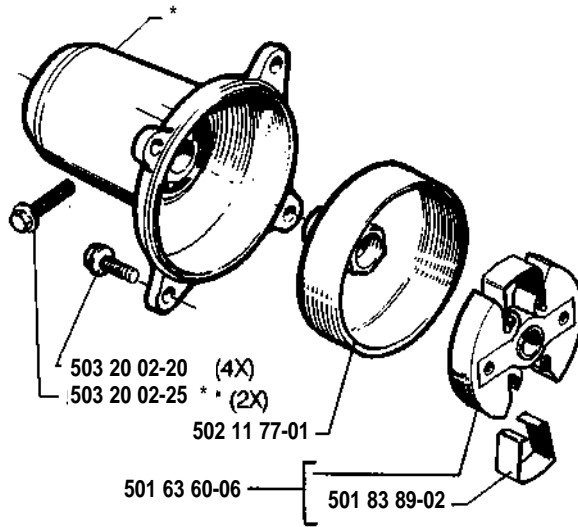
H



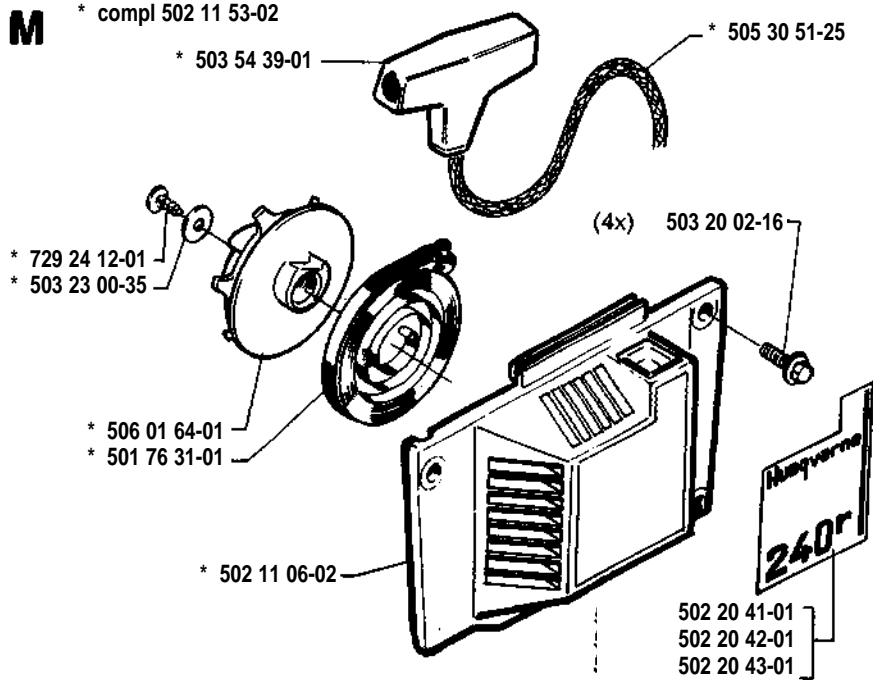
J



K * compl 502 11 52-01



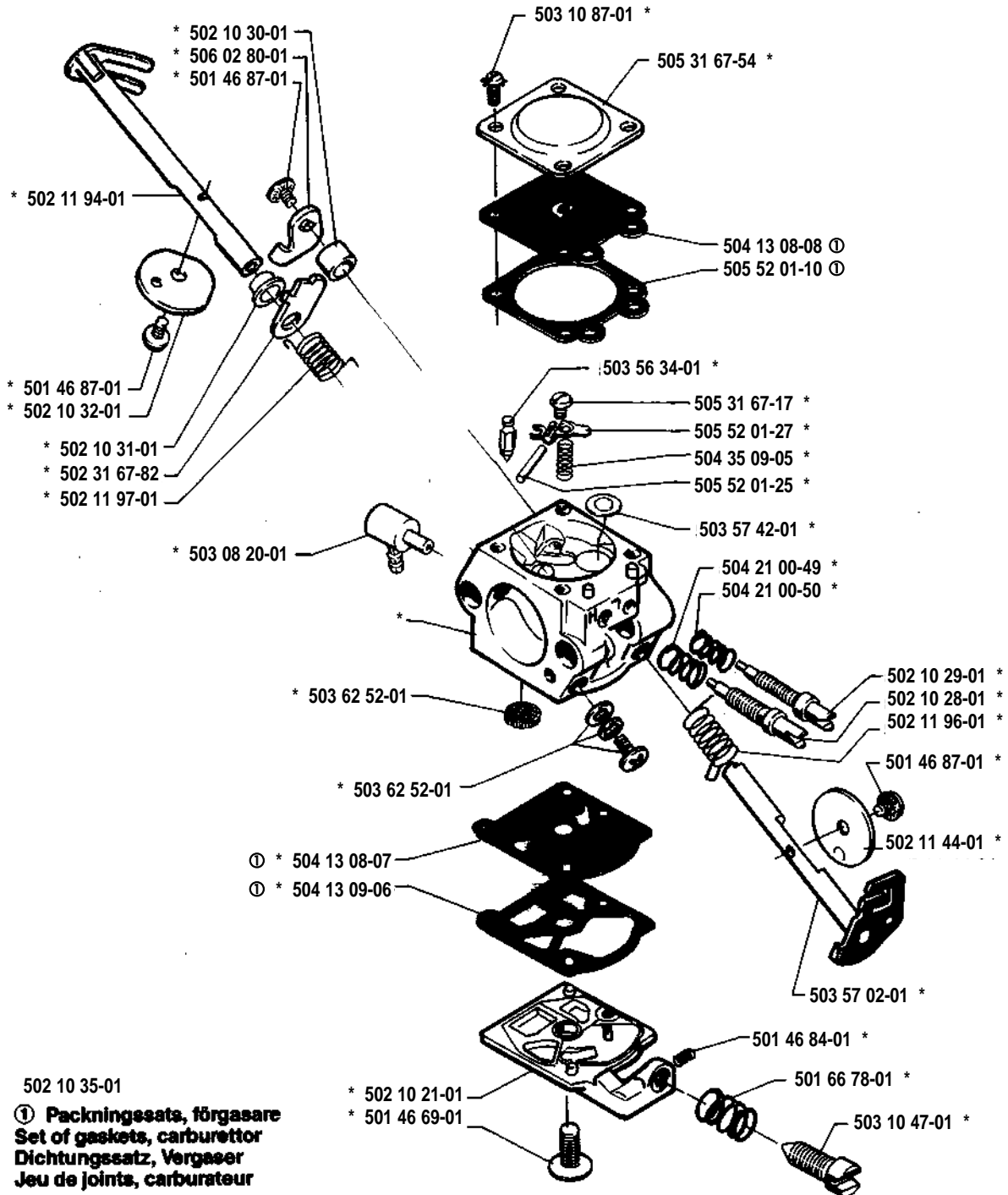
M * compl 502 11 53-02



N

* compl 503 28 13-20

Walbro WT 99

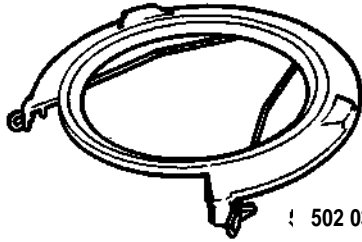
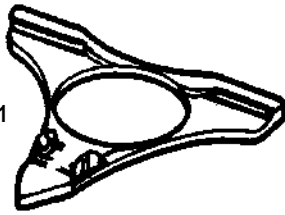


O

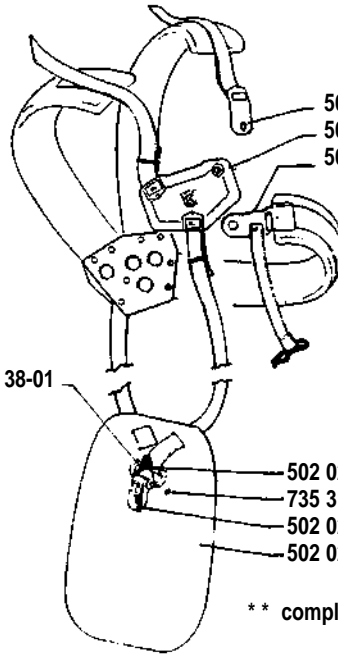
* compl 502 17 00-01
* compl 502 17 00-02 **US** } 240 r

**Accessories
Zubehöre
Accessoires
Accessorios
Tillbehör**

502 26 23-01



! 502 03 55-03 8" - 10"



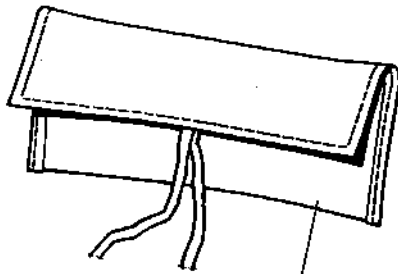
502 17 02-01 *
502 17 01-01 *
502 17 05-01 *

** 502 02 38-01

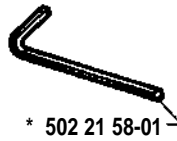
502 02 30-02 **
735 31 09-20 **
502 02 29-02 **
502 02 27-01 *

** compl 502 02 28-01

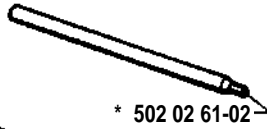
* compl 502 02 00-02
* compl 502 02 00-03 **US** } (245", 245")



* compl 502 11 03-02



* 502 21 58-01

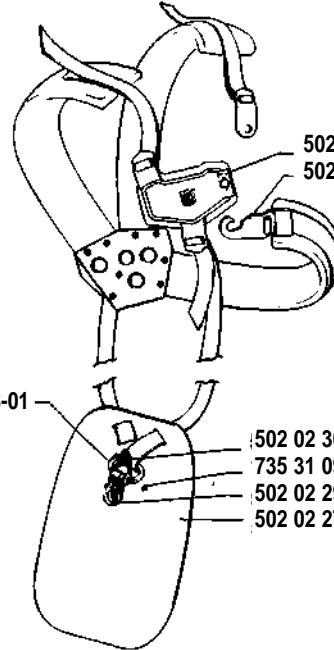


* 502 02 61-02



* 502 11 46-02

* 502 02 38-01

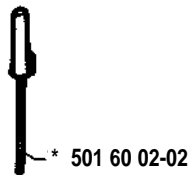


502 02 01-01 *
502 02 06-01 *

502 02 30-02 *
735 31 09-20 *
502 02 29-02 *
502 02 27-01 *

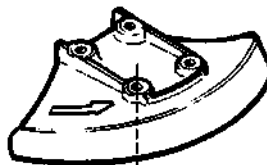
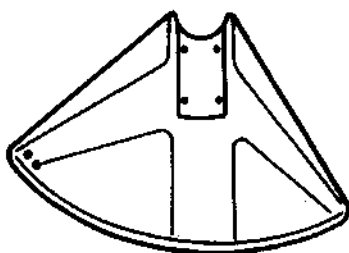


502 51 27-01



* 501 60 02-02

502 10 47-01



502 27 22-01 (8")
502 03 94-03 (9")
502 03 95-03 (10")

502 26 34-01

